

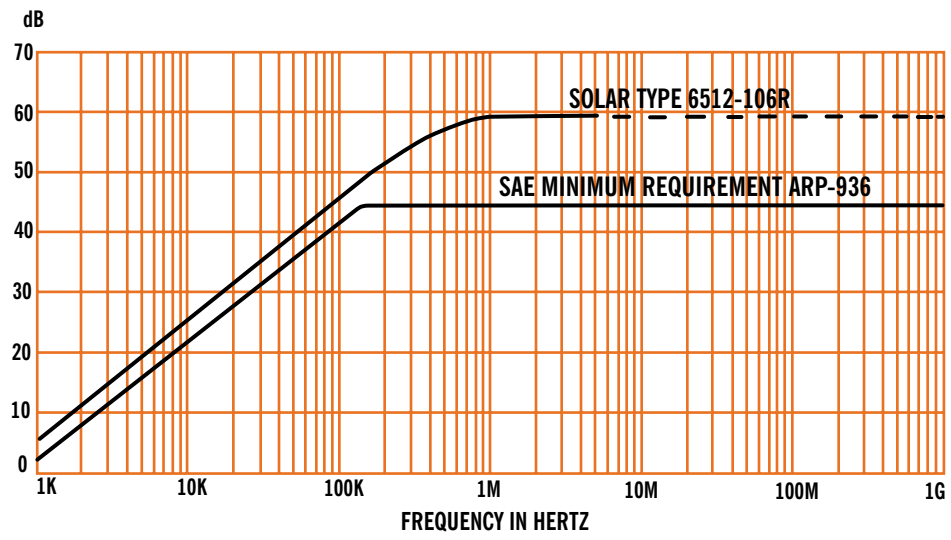
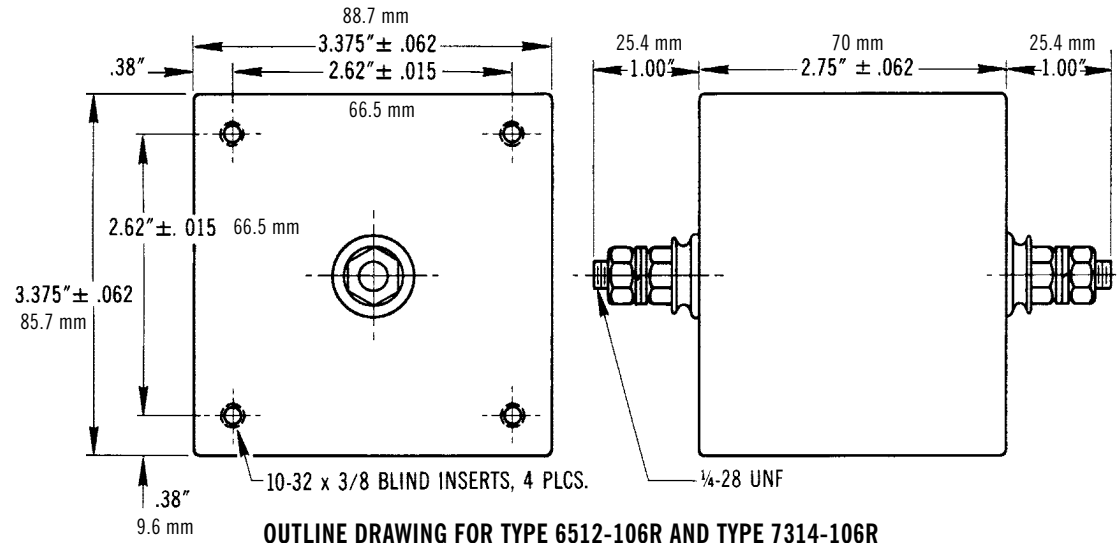
TYPE 6512-106R FEED-THRU CAPACITOR

NEED HIGHER CURRENT OR HIGHER 400 Hz VOLTAGE RATING?

Type 7012-106R, 10 μ F, 500 V at 400 Hz, 200 amperes. Size: 5" x 5" x 6" (127 mm x 127 mm x 152 mm) with $\frac{3}{8}$ -16 feed-thru stud.

Type 7113-106R, 10 μ F, 500 V at 400 Hz, 500 amperes. Size: 5" x 5" x 6" (127 mm x 127 mm x 152 mm) with $\frac{1}{2}$ -20 feed-thru stud.

Type 7314-106R, 10 μ F, 300 V at 400 Hz, 100 amperes. See drawing.



INSERTION LOSS MEASURED IN 50 OHM CIRCUIT PER MIL-STD-220A